

BEETLE TABLE // CASTED BASE - DINING, LOUNGE HEIGHT - Ø90 / 75x75 TABLE TOP GAMFRATESI COLLECTION

Designed by GamFratesi

PRODUCT



COLORS

// Table top Marble

// Carrara Bianca



// Verde Guatemala



// Nero Marquina



// Marrone Emperador.



// Marrone Emperador.



// Black



// White



// Polished aluminium w. black column

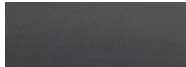


// Polished aluminium

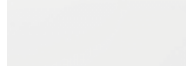


// Table top Laminate

// Black laminate



// White laminate



DESCRIPTION

The BEETLE Table Collection is a table series with casted aluminium bases and small table tops. The table comes with different color bases and table tops.

VERSION

FRAME (RAL codes are indicative)

- Black painted base // RAL 9005, gloss level 3-5
- Polished base, Black column // -, RAL 9005, gloss level 3-5
- Polished base // -

TABLE TOP:

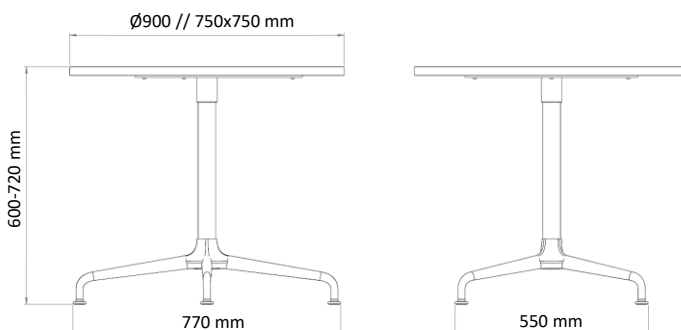
- Carrara Bianca // -
- Verde Guatemala // -
- Nero Marquina // -
- Marrone Emperador Marble // -
- Black laminate // -
- White laminate // -

TABLE VERSION

Order item - look for part number in the pricelist.

The series consists of the following:

BEETLE TABLE // LOUNGE & DINING HEIGHT // Ø75, Ø90, 60x60, 75x75



FACTS

MEASUREMENT - L x W x H mm

Lounge table height: 600 mm
Dining table height: 720 mm

Table top round: Ø90 (max)

Table top square: 75x75 (max)

Table top thickness Marble: 20 mm

Cross size: 550x550 mm

Column thickness: 50 mm

WEIGHT ITEM

Dining Ø90: 43,5 kg
Dining 75x75: 38,5 kg
Lounge Ø70: 43 kg
Lounge 60x60: 38 kg

PACKAGING TYPE

Cardboard box, foam, plastic bag

PACKAGING MEASUREMENT - L x W x H CM

L:59 x W:63 x H:92 cm

WEIGHT PACKAGING - MATERIAL TYPE

- Delivery note: 5 g
- Cardboard box, FEFCO quality EB85BB: 1650 g
- Polybag PE: 200 g
- LD-EPE foam protector: 100 g
- Strapping: 10 g
- Wooden box Ø90/75x75: 29.000/20.000g
- Foam: 500 g

WEIGHT TOTAL:

- Dining Ø70: 74 kg
- Dining 60x60: 60 kg
- Lounge Ø70: 74 kg
- Lounge 60x60: 60 kg

NUMBER OF PARCELS

3 pcs.

Designed by GamFratesi

ACCESSORIES

- PLASTIC GLIDES ARE STANDARD.

CLEANING AND MAINTENANCE

For dusting and light cleaning of the frame and glass table top use a soft, dry cloth.
For further cleaning of the frame, use a soft cloth that is firmly wrung in clean water for gently wiping the surface, and then immediately use a dry cloth to wipe the surface again.
If more thorough cleaning is necessary, use a mild detergent dissolved in water on a firmly wrung cloth to wipe the seat.
Afterwards, repeat the process with clean water as described above.
Polish with a soft cloth after wiping.

Do not use materials for maintenance that:

- Contain abrasive agents.
- Are basic, acidiferous or organic.

For the best maintenance of the product, protect it against sunlight and heat, and try to keep it away from moisture, grease and other dirt.

Furthermore, protect the surfaces against sharp objects and other that might scratch.

Marble - see guide for marble maintenance.

ENVIRONMENT

Parts can be separated and sorted for recycling.

TESTS

-

CERTIFICATION AND LABELS

-