

Designed by Mathieu Matégot

**PRODUCT**



Item no.: 60002-00  
+ style code

**COLOURS**



// Black // black



// Blue/grey // black



// White // black

**DESCRIPTION**

The spacious tea trolley with two trays in perforated steel was designed by Mathieu Matégot in 1953-54. The trolley is connected by steel tubes, includes a newspaper holder and has rotating castors. It comes with colored trays with a black base -White and Black, Grey and Black and Black and Black.  
Mathieu Matégot creates his legendary pieces in 1950s. The three-legged Nagasaki Chair is Matégot's best known piece. Besides the trolley the collection consists of Nagasaki chair, Nagasaki stool, Kangourou sofa table, Dedal shelves, Coatrack, Demon shelves and Copacabana collection. All models are made of powder-lacquered steel.

**VERSION**

- Black frame / Black top plate // RAL 9005, gloss level 10 / RAL 9005, gloss level 10
- Black frame / Bluegrey top plate // RAL 9005, gloss level 10 / RAL 240 5010, gloss level 10
- Black frame / White top plate // RAL 9005, gloss level 10 / RAL 9003, gloss level 10

**TYPES**

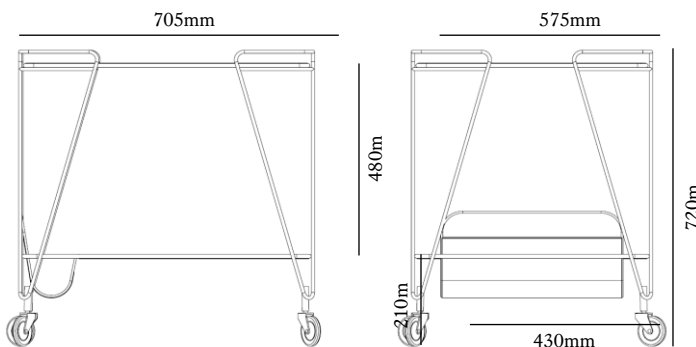
Order item - look for part number in the pricelist.

The series consists of the following:

Nagasaki chair, Nagasaki stool, Kangourou table, Dedal shelf, Coat rack, Demon shelf, Trolley, Copacabana chair, Copacabana table



**MEASUREMENTS**



**FACTS**

**MEASUREMENT - H X W X D MM**

- Height: 720 mm
- Width: 575 mm
- Length: 705 mm
- Height bottom tray: 210 mm
- Height between trays: 480 mm
- Width newspaper holder: 430 mm

- kg

**PACKAGING TYPE**

Cardboard box

**PACKAGING MEASUREMENT - L X W X H CM**

L: 74 X W: 61 X H: 67,5 CM

**WEIGHT PACKAGING - MATERIAL TYPE**

- Delivery note: - g
- Cardboard box, FEFCO quality BC85BB: - g
- Polybag PE: - g
- LD-EPE foam protector: - g
- Strapping: 10 g

**WEIGHT PACKAGING - TOTAL**

- kg

**NUMBER OF PARCELS**

2 psc.