

COBRA // WALL LAMP, EU MODEL

GROSSMAN COLLECTION

Designed by Greta Grossman

PRODUCT



Item no.: 005-0610

+ style code:

- 1: Jet Black

- 5: Matt White

DESCRIPTION

The classic Cobra lamp takes its name from the shape of the oval shade, which is reminiscent of a Cobra's neck (or hood). A solid brass arm joins the wall base and shade. The shade can be tilted 90 degrees from vertical to horizontal and it can be rotated 360 degrees. The base cover and the shade is in powder-coated steel. A bracket for the mounting on the wall is integrated in the base. Switch integrated in the base.

VERSION - COBRA WALL LAMP

- Fabric wire - black:

- Jet Black / White inside // RAL 9005 / RAL 9003 // Gloss level 20 / Gloss level 20

'- Fabric wire - white:

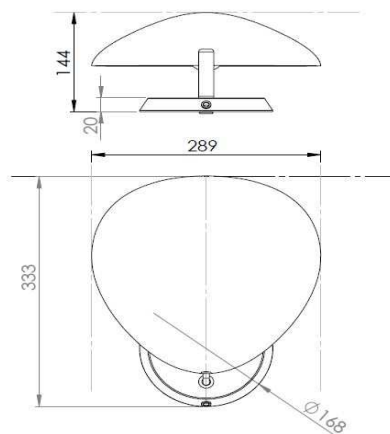
- Matt white / White inside // RAL 9003 / RAL 9003 // Gloss level 20 / Gloss level 20

VERSION - COBRA WALL LAMP

Order item - look for part number in the pricelist.

Series contains the following:

GM1 GRÅSHOPPA
GM2 COBRA TABLE
GM3 COBRA FLOOR
GRÅSHOPPA TASK TABLE LAMP
GRÅSHOPPA PENDANT
COBRA WALL LAMP



COLORS



// Jet Black

// Matt white

FACTS

MEASUREMENT - L x W x H mm

Lamp height: 333 mm

Lamp depth: 144 mm

Wall base diameter: Ø168 mm

Wall base height: 20 mm

Shade height: 78 mm

Shade depth: 289 mm

Cable length, exposed: Approx. 2500 mm

WEIGHT ITEM - LAMP INCL. WIRE

1245 g

PACKAGING TYPE

Cardboard box

PACKAGING MEASUREMENT - L x W x H cm

L: 38 x W: 35 x H: 21 cm

WEIGHT PACKAGING - MATERIAL TYPE (recycleable)

- LD-EPE foam: 132 g

- EPE bag: 11 g

- PE polybag: 6 g

- Cardboard inside: 217 g

- Cardboard outside, 5ply Corrugated: 748 g

WEIGHT INCL. PACKAGING - TOTAL

2359 g

NUMBER OF PARCELS

1 pcs.

COBRA // WALL LAMP, EU MODEL

GROSSMAN COLLECTION

Designed by Greta Grossman

ACCESSORIES

Mounting parts included: screw 2pcs (4g), rawlplug 2pcs (1g).

ENVIRONMENT

-

TESTS

-

CERTIFICATION AND LABELS

CE-CERTIFIED

SAFETY INSTRUCTIONS

If the cord or plug is damaged, unplug it from the socket with dry hands. Do not use the lamp until it is repaired by a qualified Electrician.

Bulb requirements:

- Socket: E14 base
- Recommended light source: All fluorescens light bulbs
- Recommended wattage: 9 W
- Max wattage: 13 W
- Recommended light source: Halogen light bulb
- Recommended wattage: 28 W
- Max wattage: 28 W

*Lightbulb not included

*Euro plug: Type C, 2 PIN, 2,5 amp

*Euro voltage: 230 V

*Frequency: 50 Hz

*Supply voltage: AC power ~

*Normally Closed: IP20



Class II / Double insulated



CE-Mark



Luminaires accepted for mounting on a flammable base